

## Adjustable Relief Valve

FIG. F1329

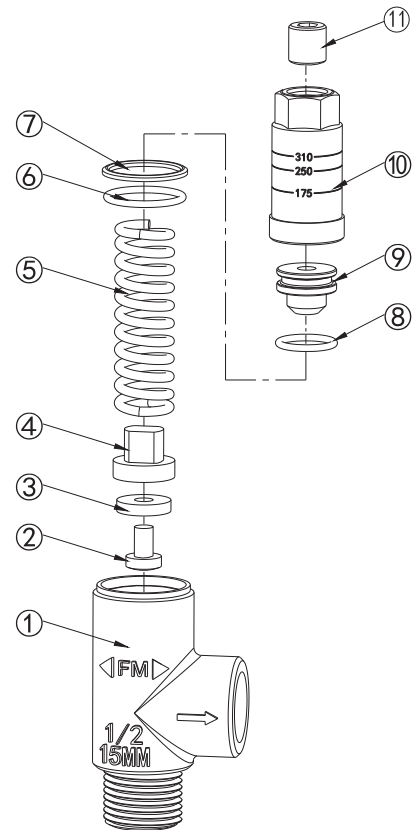
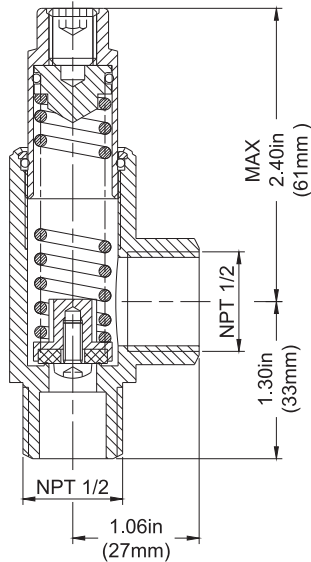
### General Description

- F1329 bronze adjustable relief valve is rated for up to 310 psi. The adjustable relief valve allows for the required NFPA field hydrostatic testing to be accomplished without removing and/or plugging the outlet for the relief valve.

**Note:** Visual calibration lines on valve are used for approximate adjustment, must verify pressure setting with pressure gauge.

### Technical Data

- **Maximum System Working Pressure:**  
310 psi
- **Relief Valve Set Pressure Range**  
175 psi to 310 psi
- **FM Approved.**
- **Dimensions**



### Material Specifications

No.	Part Name	Material	ASTM Specification
1	Body	Bronze	B148 C95200
2	Retaining Screw	Stainless Steel	F593 Grade 304
3	Sealing Gasket	Rubber	D2000 EPDM
4	Disc	Bronze	B148 C95200
5	Spring	Stainless Steel	A276 Type 304
6	O-Ring	Rubber	D2000 NBR
7	Washer	Brass	B124 C37700
8	O-Ring	Rubber	D2000 NBR
9	Piston	Stainless Steel	A276 Type 304
10	Adjustment Cap	Bronze	B148 C95200
11	Adjustment Screw	Stainless Steel	F593 Grade 304

### Notes

• Designs, materials and specifications shown are subject to change without notice due to the continuous development of our products.