

AWWA C500 NRS Metal Seated Gate Valve

FIG. 3124

Specification

- Comply with AWWA C500.
- Bronze Seat.
- Adjustable Stem Seal.
- Available with Handwheel, Gearbox or Actuator.
- Flange and Drilling comply with ASTM B16.1 Class125.
- Face to Face Dimensions in accordance with: EN 558-1 basic series 3, ASME B16.10.
- Maximum Working Pressure 250 psi.

Corrosion Protection

- Internally and Externally Liquid Painted or Fusion Bonded Coating.

Material Specification

Part	Material	ASTM Specification
Body	Ductile Iron	A536 Grade 65-45-12
Bonnet	Ductile Iron	A536 Grade 65-45-12
Body Seat	Bronze	B62 C83600
Wedge	Ductile Iron	A536 Grade 65-45-12
Wedge Seat	Bronze	B62 C83600
Stem	Stainless Steel	A276 Type 420
Wedge Nut	Bronze	B148 C95200
Gasket	Graphite	Non-asbestos
Packing	Graphite	Non-asbestos
Fasteners	Carbon Steel	A307 Grade B
Handwheel	Ductile Iron	A536 Grade 65-45-12

Options

- Flange and Drilling comply with EN1092-2 PN16.
- ASTM A276 Type 304 Stem.
- Stainless Steel Fasteners: A2-70 or A4-70.

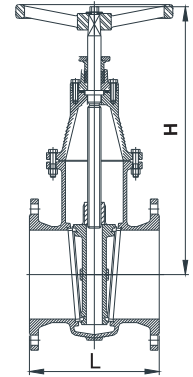
Main Dimensions (mm)

Size	2"	2-1/2"	3"	4"	5"	6"	8"	10"	12"	14"	16"	18"
L	178	191	203	229	254	267	292	330	356	381	406	432
H	240	325	340	420	480	545	668	750	835	995	1130	1240
Size	20"	24"	28"	30"	32"	36"	42"	48"	54"	60"	66"	-
L	457	508	610	610	660	711	915	1118	945	945	945	-
H	1350	1370	1520	1850	1930	2215	2440	2865	3090	3315	3435	-

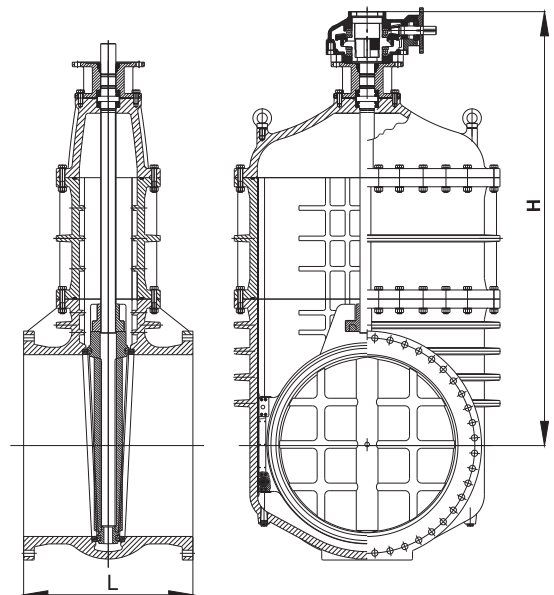
Notes

- Designs, materials and specifications shown are subject to change without notice due to the continuous development of our products.

Schematic



Size 2" to 12"



Size 14" and above